

SAT IF-IF conversion system

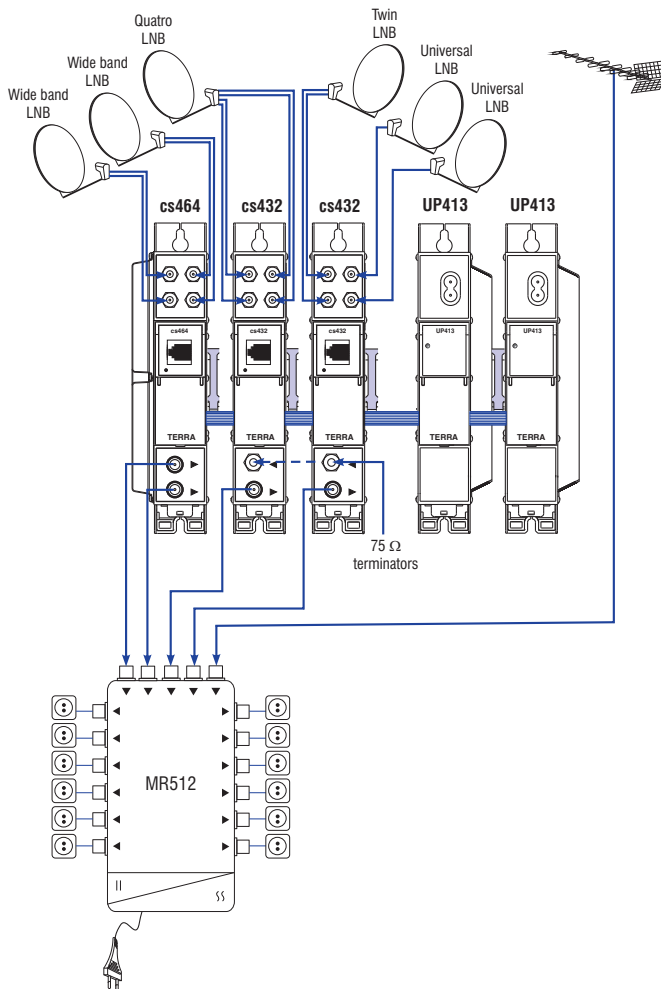
Power supplies

- suitable for operation in parallel connection for back-up function implementation (UP413)
- modular power supply with integrated RF combiner (UP410S)
- switch-mode technology
- short circuit and overload protected
- DIN rail or wall mounting
- robust die-cast housing
- connectors:
 - 3xRF - type F (UP410S)
 - screw terminal block for DC output power distribution bus



Technical specifications

T Y P E		UP413	UP410S
Ordering number		03821	02874S
Power supply	input voltage	187-250 V~ 50/60 Hz	
	output voltage, current	12 V 4.5 A max.	
	power consumption	65 W max.	
RF combiner	frequency range	-	47-2400 MHz
	insertion loss	-	4 dB at 862 MHz; 6 dB at 2400 MHz
	isolation	-	≥ 20 dB
	return loss	-	≥ 20 dB at 862 MHz ; ≥ 12 dB at 2400 MHz
Operating temperature range		0° ± +50° C	
Dimensions/Weight (packed)		48x198x107.5 mm/1 kg	48x198x107.5 mm/0.97 kg



Application example of SAT IF distribution system from 6 different satellites.

cs464 - SAT IF channel converter, two RF outputs
 cs432 - SAT IF channel converter, one RF output
 MR512 - 5x12 multiswitch, see www.terraelectronics.com